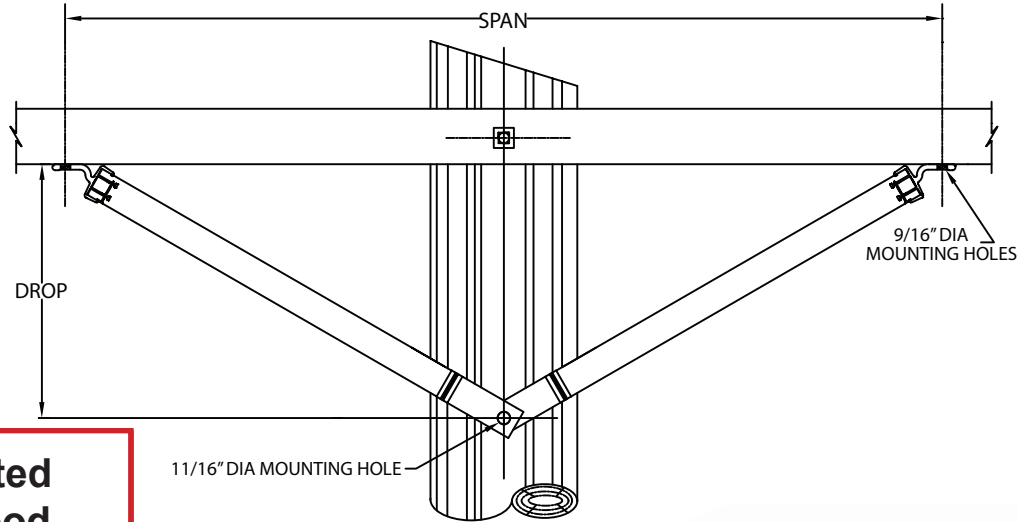


Wood Crossarm Brace

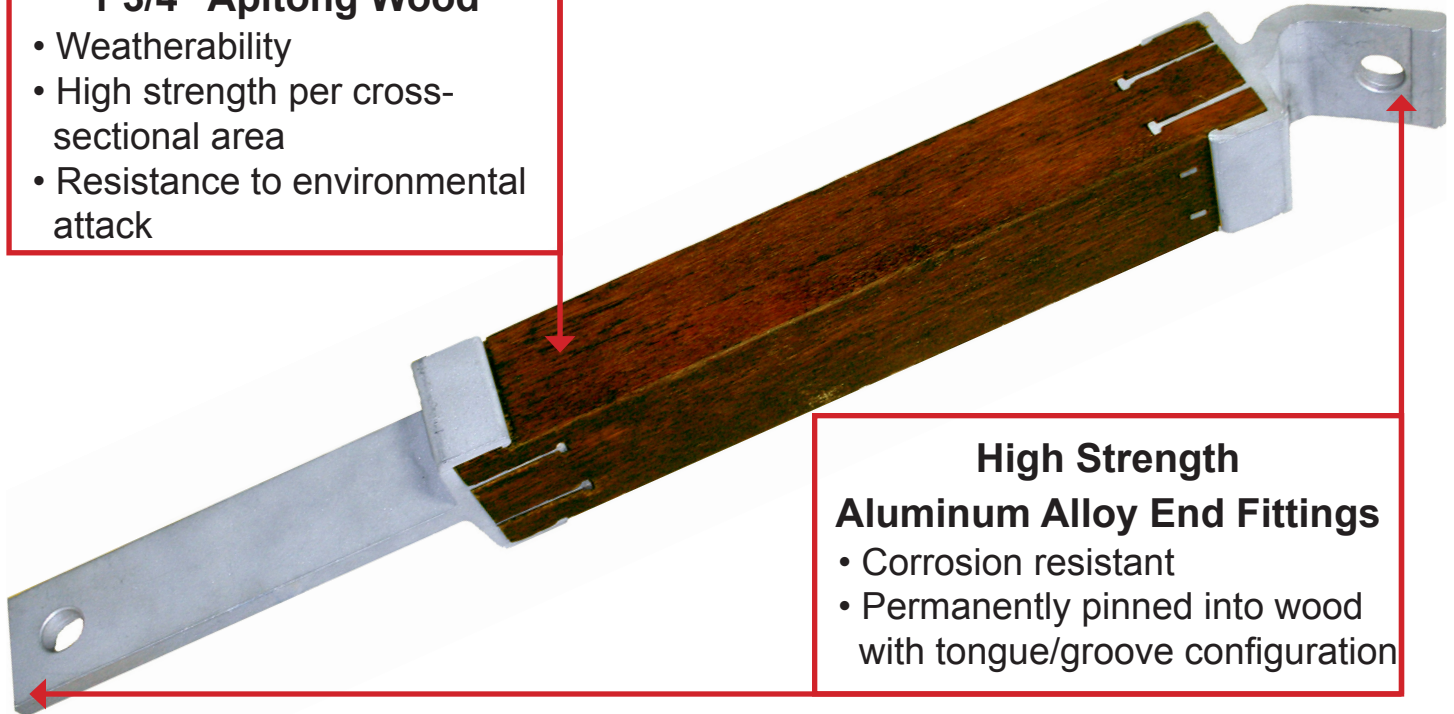
Underarm Style

MacLean Power Systems' JA-R series wood crossarm braces feature a reversible underarm style to provide a lightweight, durable, inexpensive wood brace. The MPS Underarm Style Wood Crossarm Brace is design engineered for years of service life.



Preservative-Treated 1 3/4" Apitong Wood

- Weatherability
- High strength per cross-sectional area
- Resistance to environmental attack



High Strength Aluminum Alloy End Fittings

- Corrosion resistant
- Permanently pinned into wood with tongue/groove configuration

Catalog Number (pair)	Span (in)	Drop (in)	Crossarm Fitting Hole Diameter (in)	Pole Fitting Hole Diameter (in)	Weight (lbs/pair)
JA4788R	48	18	9/16	1 1/16	4.0
JA4760R	60	18	9/16	1 1/16	4.5
JA4761R	60	26	9/16	1 1/16	5.0
JA4730R	60	30	9/16	1 1/16	5.5
JA4766R	66	20	9/16	1 1/16	5.0
JA4772R	72	22	9/16	1 1/16	5.5

MacLean Power Systems

11411 Addison Avenue
Franklin Park, IL 60131

T: 847.455.0014 F: 847.455.0029 • www.maclepower.com