



# MacLean Power Systems

## Steel Crossarms

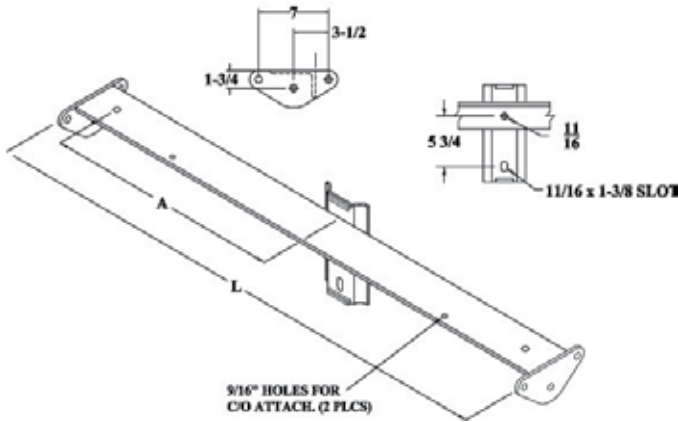
Steel crossarms are produced from structural steel angle or tubing for high strength deadend and tangent applications.

### Features

- Multiple bolt holes for a variety of conductor attachment points permit assembly of jumper pins and arrester/equipment mounting brackets
- Provided with a center mounting plate for attachment to pole

### Material

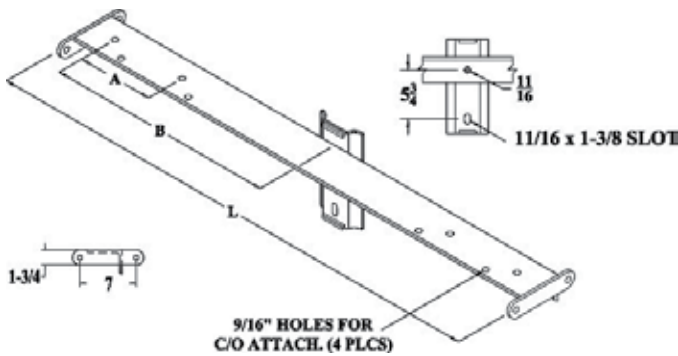
Steel hot dip galvanized



Steel Crossarm (3" x 5" x 3/8" Angle)				
Catalog Number	L	A	Ult Strength Rating Per Phase (lbs)	Weight Ea (lbs)
D-21140-GA	60	27	5000	59

#### Notes:

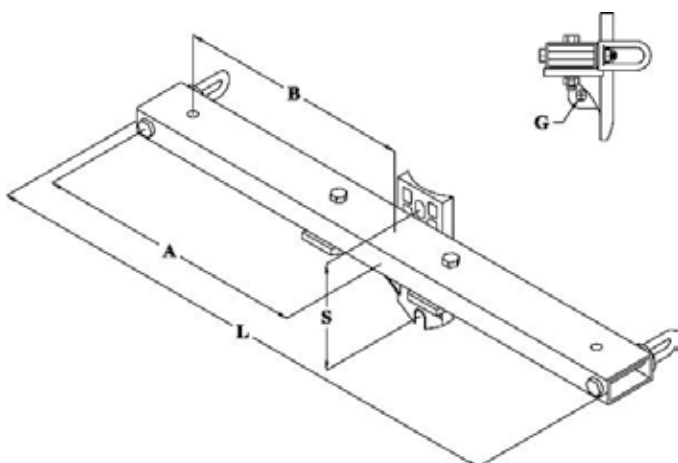
- 1) All holes are 11/16" diameter unless otherwise noted
- 2) Strength ratings based on balanced load applications



Steel Crossarm (3" x 5" x 3/8" Angle)					
Catalog Number	L	A	B	Ult Strength Rating Per Phase (lbs)	Weight Ea (lbs)
D-21143-GA	78	20	32	4000	70

#### Notes:

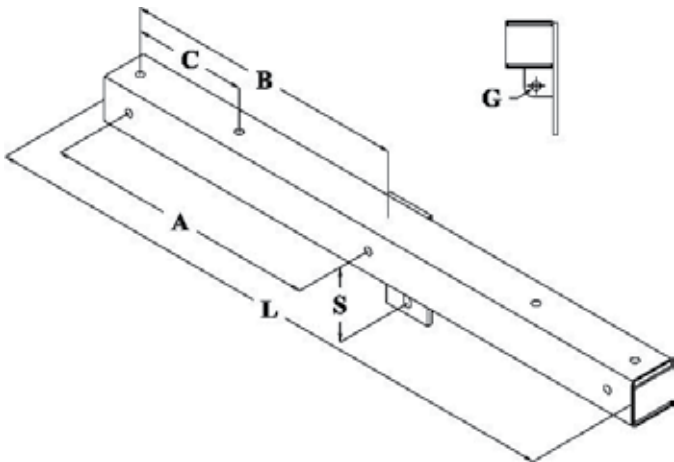
- 1) All holes are 11/16" diameter unless otherwise noted
- 2) Strength ratings based on balanced load applications



Steel Crossarm (2" x 4" Rectangular Tubing)							
Catalog Number	L	A	B	G	S	Ult Strength Rating Per Phase (lbs)	Weight Ea (lbs)
DEA86H40BE6	42	20	18	13/16	8	10000	37
DEA86H46BE6D	48	23	21	13/16	8	9500	43
DEA86H58.5BE6	60	29	27.25	13/16	8	9000	50
DEA86H58.5BE6D	60	29	27.25	13/16	8	9000	52

#### Notes:

- 1) All holes are 13/16" diameter unless otherwise noted
- 2) Suffix "D" indicates double deadend hardware (eyelets on both sides of arm)
- 3) Strength ratings based on balanced load applications



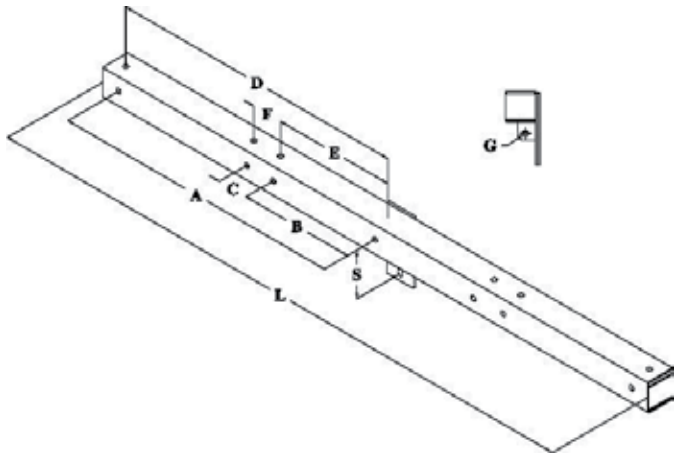
Steel crossarms are produced from structural steel angle or tubing for high strength deadend and tangent applications.

### Features

- Multiple bolt holes for a variety of conductor attachment points permit assembly of jumper pins and arrester/equipment mounting brackets
- Provided with a center mounting plate for attachment to pole

### Material

Steel hot dip galvanized



Steel Crossarm (5" x 5" Square Tubing)							
Catalog Number	L	A	B	C	S	Ult Strength Rating Per Phase (lbs)	Weight Ea (lbs)
SF-TA-68-64	64	29	20	12	8	8000	80

#### Notes:

- 1) All holes are 13/16" diameter unless otherwise noted
- 2) Strength ratings based on balanced load applications

Steel Crossarm (5" x 5" Square Tubing)										
Catalog Number	L	A	B	C	D	E	F	G	S	Weight Ea (lbs)
SF-TA-102-FPL	102	48	19	5	49	20	5	15/16	8	118

#### Notes:

- 1) All holes are 13/16" diameter unless otherwise noted
- 2) Strength ratings based on balanced load applications

Hole Spacings	19	24	48	Load / Connection
6 wire (3/Phase)	x	x	x	2500 lbs.
4 wire (2/Phase)	x		x	3500 lbs.
4 wire (2/Phase)		x	x	3000 lbs.
2 wire (1/Phase)			x	5000 lbs.